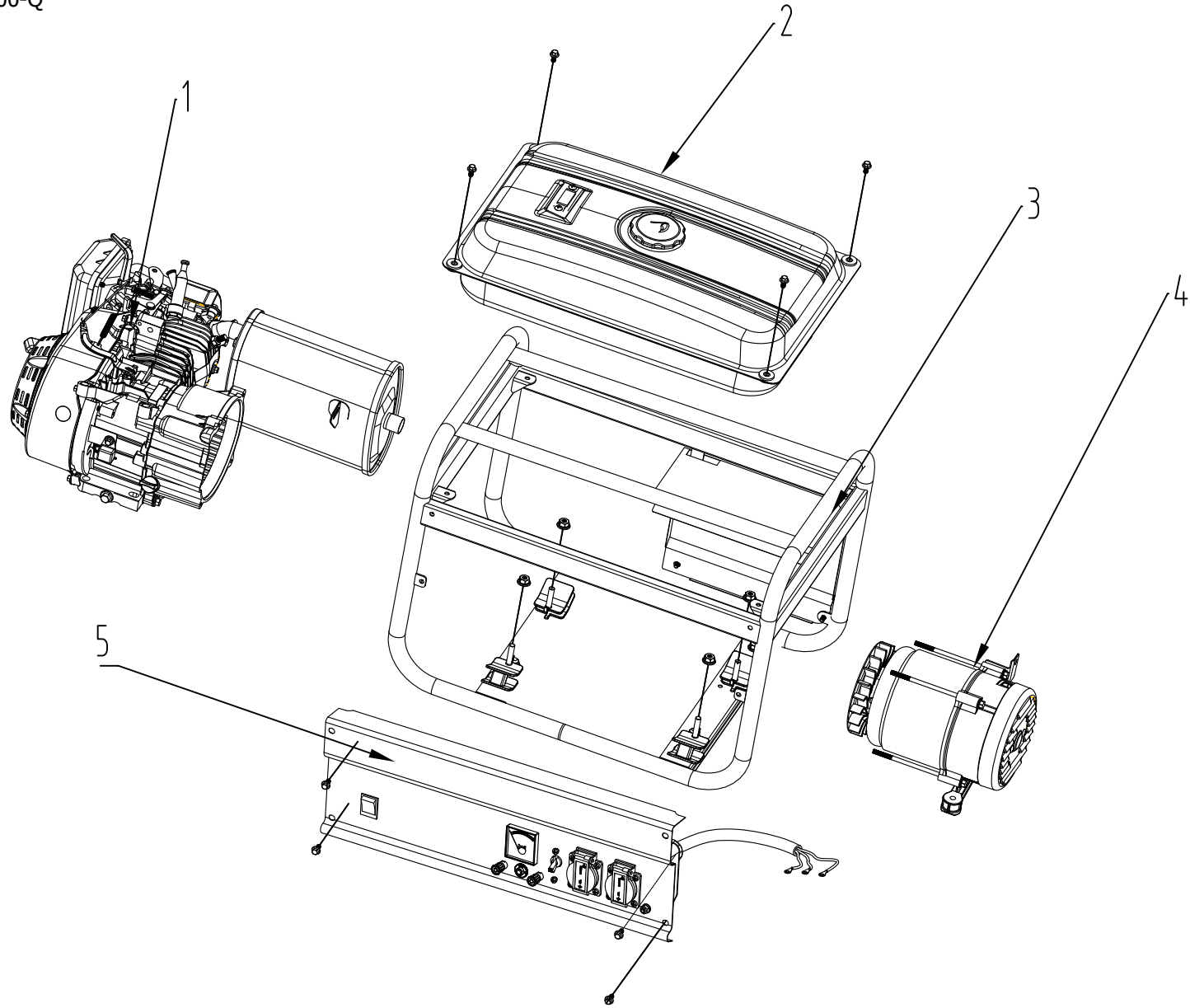
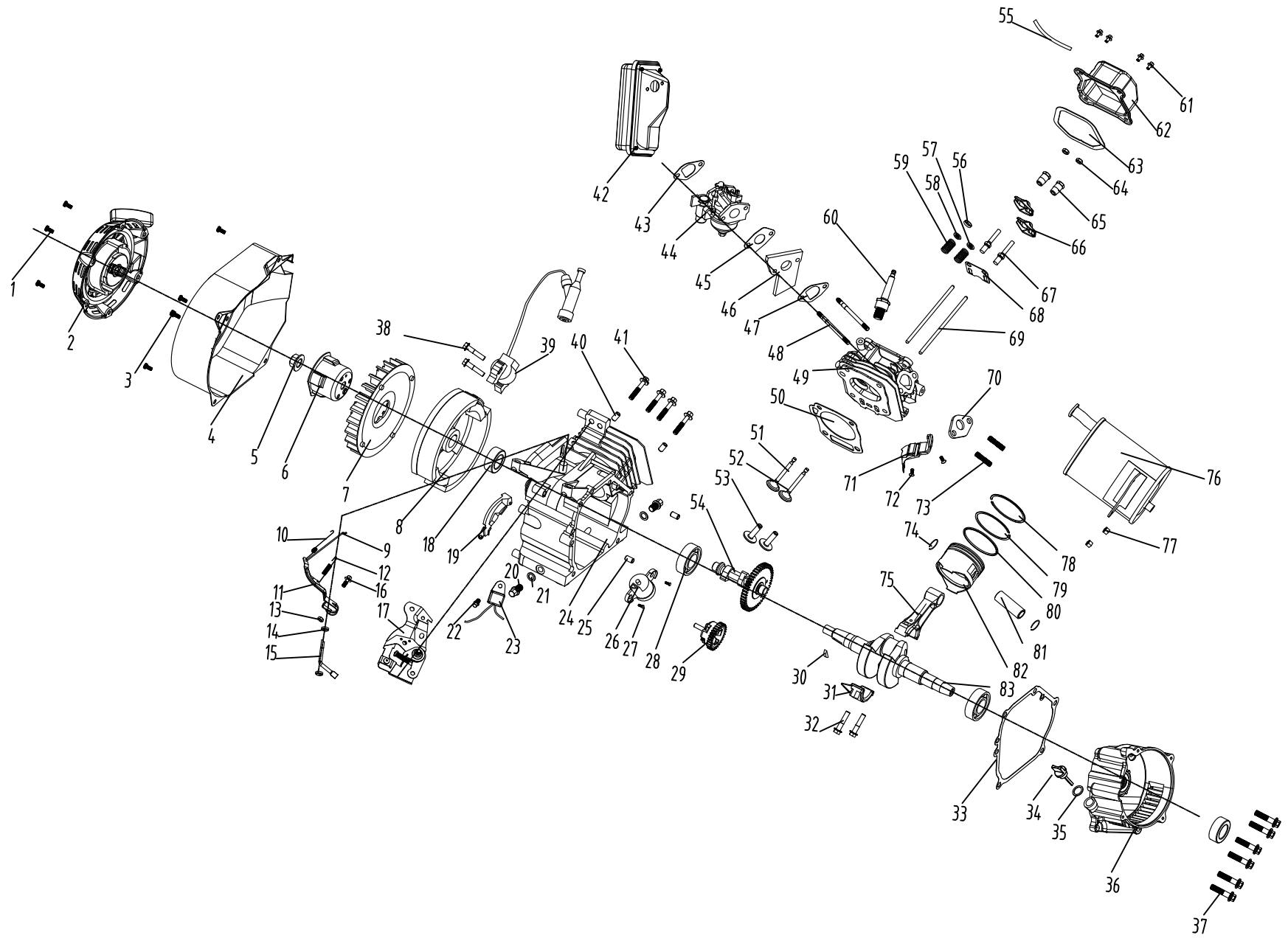


Esploso 65123P PT3800-Q

**HYUNDAI**



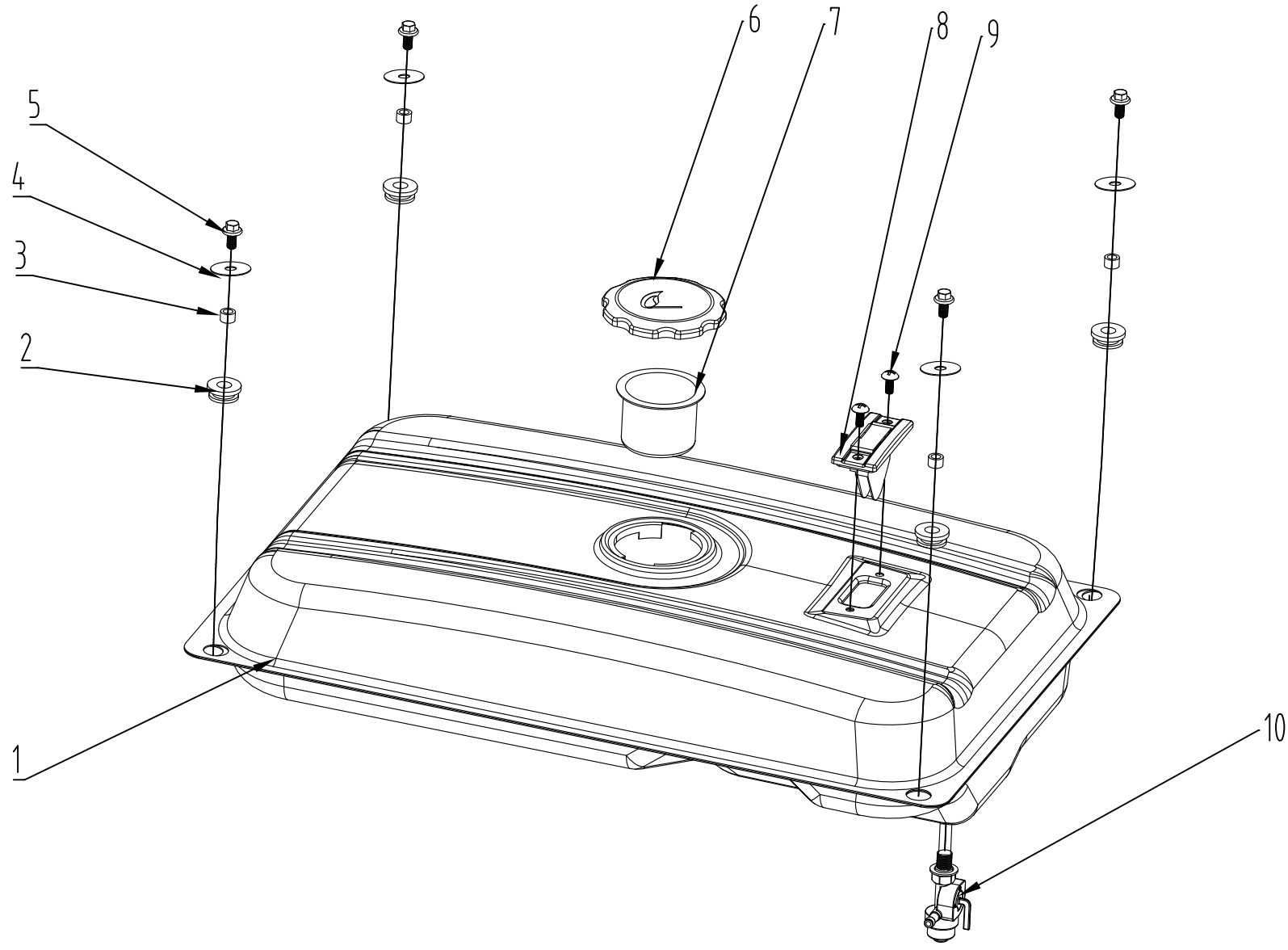
| Itemref            | Quantity          | Title/Name, designation, material, dimension etc | Article No./Reference |      |              |
|--------------------|-------------------|--|-----------------------|------|--------------|
| Designed by<br>XXX | Checked by<br>XXX | Approved by - date<br>XXX - 00/00/00             | Filename<br>Exploder  | Date | Scale<br>1:1 |
| Generator Exploder |                   |  | Edition<br>0          |      | Sheet<br>1/7 |



| Itemref                  | Quantity          | Title/Name, designation, material, dimension etc |                      | Article No./Reference |              |
|--------------------------|-------------------|--|----------------------|-----------------------|--------------|
| Designed by<br>XXX       | Checked by<br>XXX | Approved by - date<br>XXX - 00/00/00             | Filename<br>Exploder | Date                  | Scale<br>1:1 |
| <b>Gasoline Exploder</b> |                   |  |                      | Edition<br>0          | Sheet<br>2/7 |

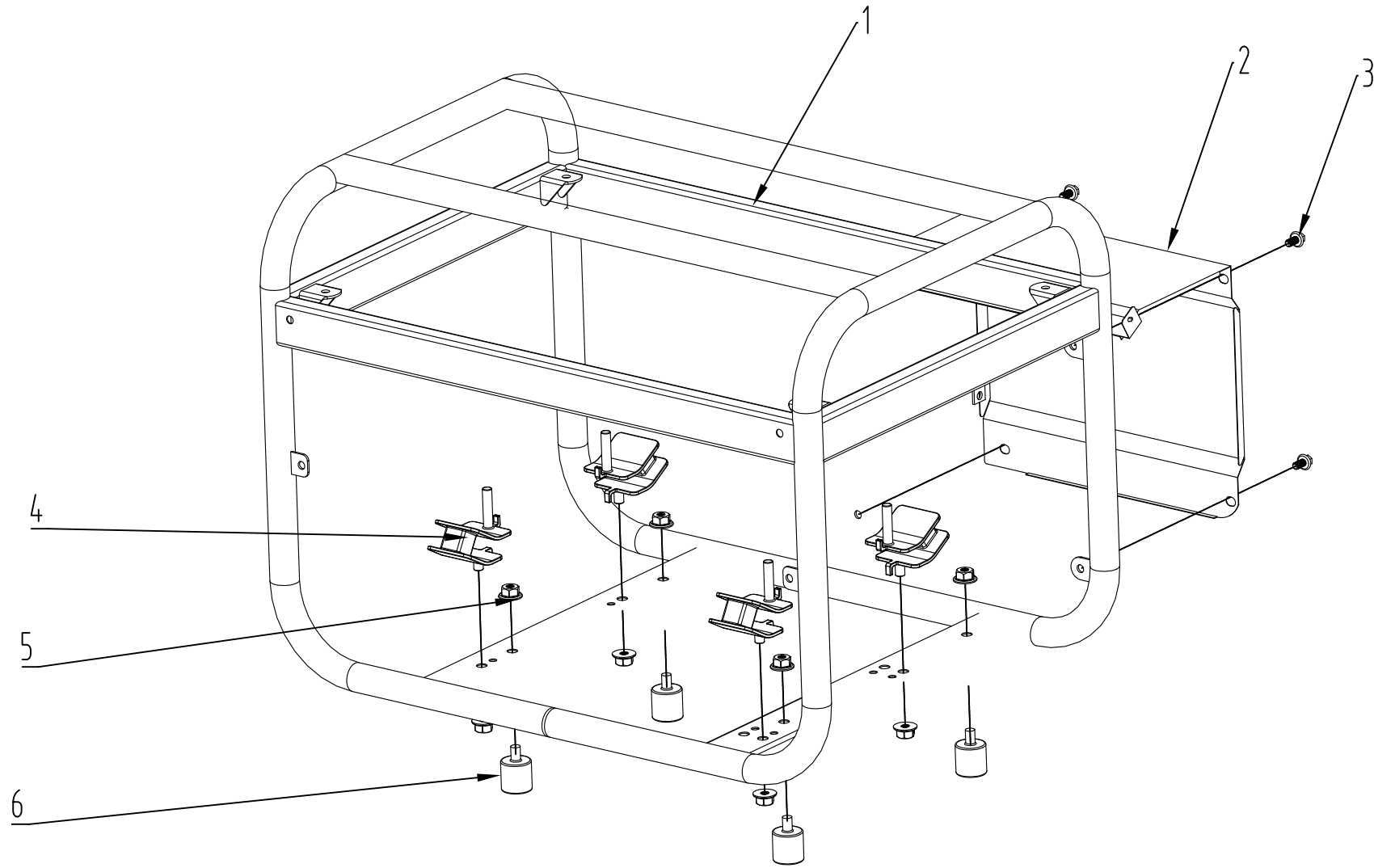
**Engine Components list for PT2500 3/7**

| <b>No</b> | <b>English Name</b>     | <b>Number</b> | <b>No</b> | <b>English Name</b>           | <b>Number</b> |
|-----------|-------------------------|---------------|-----------|-------------------------------|---------------|
| 1         | Flange Bolt M6×8        | 3             | 43        | Air cleaner gasket            | 1             |
| 2         | Recoil starter          | 1             | 44        | Carburetor                    | 1             |
| 3         | Flange Bolt M6×12       | 4             | 45        | Carburetor gasket             | 1             |
| 4         | Fan Cover               | 1             | 46        | Carburetor Insulator          | 1             |
| 5         | Flywheel Nut M14×1.5    | 1             | 47        | Carburetor Insulator Gasket   | 1             |
| 6         | Starting Cup            | 1             | 48        | Stud Bolt M6×90               | 2             |
| 7         | Fan                     | 1             | 49        | Cylinder head                 | 1             |
| 8         | Flywheel                | 1             | 50        | Cylinder head gasket          | 1             |
| 9         | Governor Pull Rod       | 1             | 51        | Intake Valve                  | 1             |
| 10        | Small Governor Spring   | 1             | 52        | Exhaust Valve                 | 1             |
| 11        | Governor Arm            | 1             | 53        | Valve Lifter                  | 2             |
| 12        | Set Governor Spring     | 1             | 54        | Camshaft                      | 1             |
| 13        | Flange Nut M6           | 1             | 55        | Breather tube                 | 1             |
| 14        | Gasket 6                | 1             | 56        | Exhaust Valve Hat             | 1             |
| 15        | Governor Lever          | 1             | 57        | Exhaust Valve Spring Retainer | 1             |
| 16        | Square Bolt M6×21       | 1             | 58        | Intake Valve Spring Retainer  | 1             |
| 17        | Set Governing base      | 1             | 59        | Valve Spring                  | 2             |
| 18        | Oil seal                | 2             | 60        | Sparkplug                     | 1             |
| 19        | Flywheel Plate          | 1             | 61        | Flange Bolt M6×12             | 4             |
| 20        | Drain Plug              | 2             | 62        | Cylinder head cover           | 1             |
| 21        | Drain Plug Gasket       | 2             | 63        | Cylinder head cover gasket    | 1             |
| 22        | Flange Bolt M6×12       | 1             | 64        | Rocker Nut                    | 2             |
| 23        | Interdiction Organ      | 1             | 65        | Rocker adjust Nut             | 2             |
| 24        | Crankcase               | 1             | 66        | Rocker arm                    | 2             |
| 25        | Crankcase Pin φ8×14     | 2             | 67        | Rocker Bolt                   | 2             |
| 26        | Oil Sensor              | 1             | 68        | Push-Rod Keep Frame           | 1             |
| 27        | Flange Bolt M6×12       | 2             | 69        | Push-Rod                      | 2             |
| 28        | Bearing 6205            | 2             | 70        | Exhaust pipe Gasket           | 1             |
| 29        | Governor Gear           | 1             | 71        | Lead Wind Cover               | 1             |
| 30        | Flywheel Key            | 1             | 72        | Flange Bolt M6×8              | 2             |
| 31        | Connecting rod Cover    | 1             | 73        | Stud bolt M8×32               | 2             |
| 32        | Connecting rod Bolt     | 2             | 74        | Piston pin clip               | 2             |
| 33        | Crankcase Gasket        | 1             | 75        | Connecting rod body           | 1             |
| 34        | Oil ruler               | 1             | 76        | Muffler                       | 1             |
| 35        | Oil ruler Gasket        | 1             | 77        | Nut M8                        | 2             |
| 36        | High Crankcase cover    | 1             | 78        | Top compression ring          | 1             |
| 37        | Flange Bolt M8×33       | 6             | 79        | Second compression ring       | 1             |
| 38        | Flange Bolt M6×25       | 2             | 80        | Oil ring                      | 1             |
| 39        | High Voltage Bag        | 1             | 81        | Piston pin                    | 1             |
| 40        | Cylinder Head Pin φ8×16 | 2             | 82        | Piston                        | 1             |
| 41        | Flange Bolt M8×55       | 4             | 83        | Crankshaft                    | 1             |
| 42        | Air Cleaner             | 1             |           |                               |               |



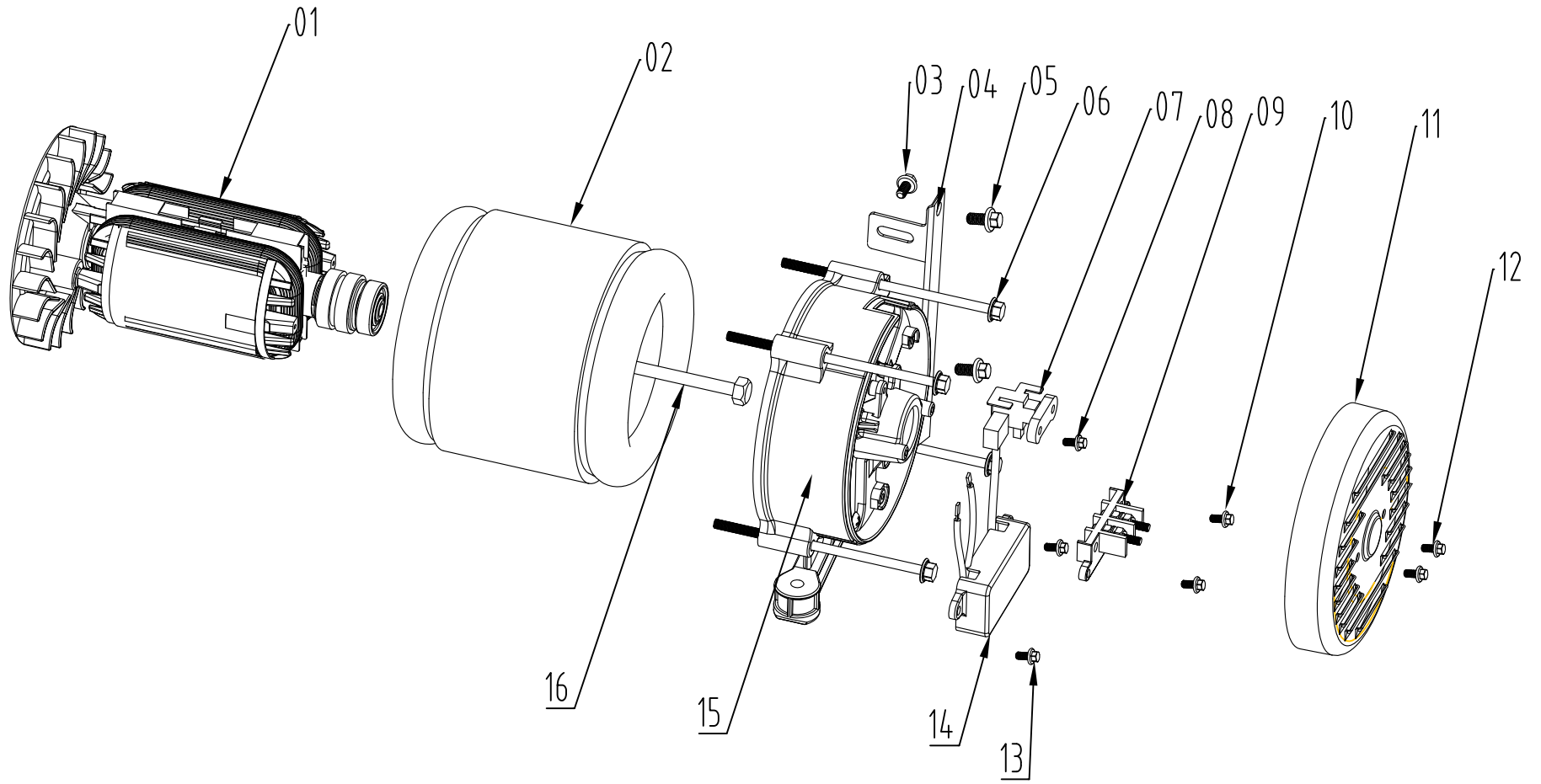
|    |               |    |                 |    |             |
|----|---------------|----|-----------------|----|-------------|
| 4  | Iron gasket   | 8  | Fuel Meter      |    |             |
| 3  | Iron cover    | 7  | Filter net      |    |             |
| 2  | Rubber gasket | 6  | Fuel tank Cover | 10 | Fuel switch |
| 1  | Fuel tank     | 5  | Bolt M6×25      | 9  | Bolt M5×12  |
| No | English       | No | English         | No | English     |

| Itemref                  | Quantity          | Title/Name, designation, material, dimension etc |                      |              | Article No./Reference |  |
|--------------------------|-------------------|--|----------------------|--------------|-----------------------|--|
| Designed by<br>XXX       | Checked by<br>XXX | Approved by - date<br>XXX - 00/00/00             | Filename<br>Exploder | Date         | Scale<br>1:1          |  |
| Fuel tank parts Exploder |                   |  |                      |              |                       |  |
|                          |                   |  |                      | Edition<br>0 | Sheet<br>4/7          |  |



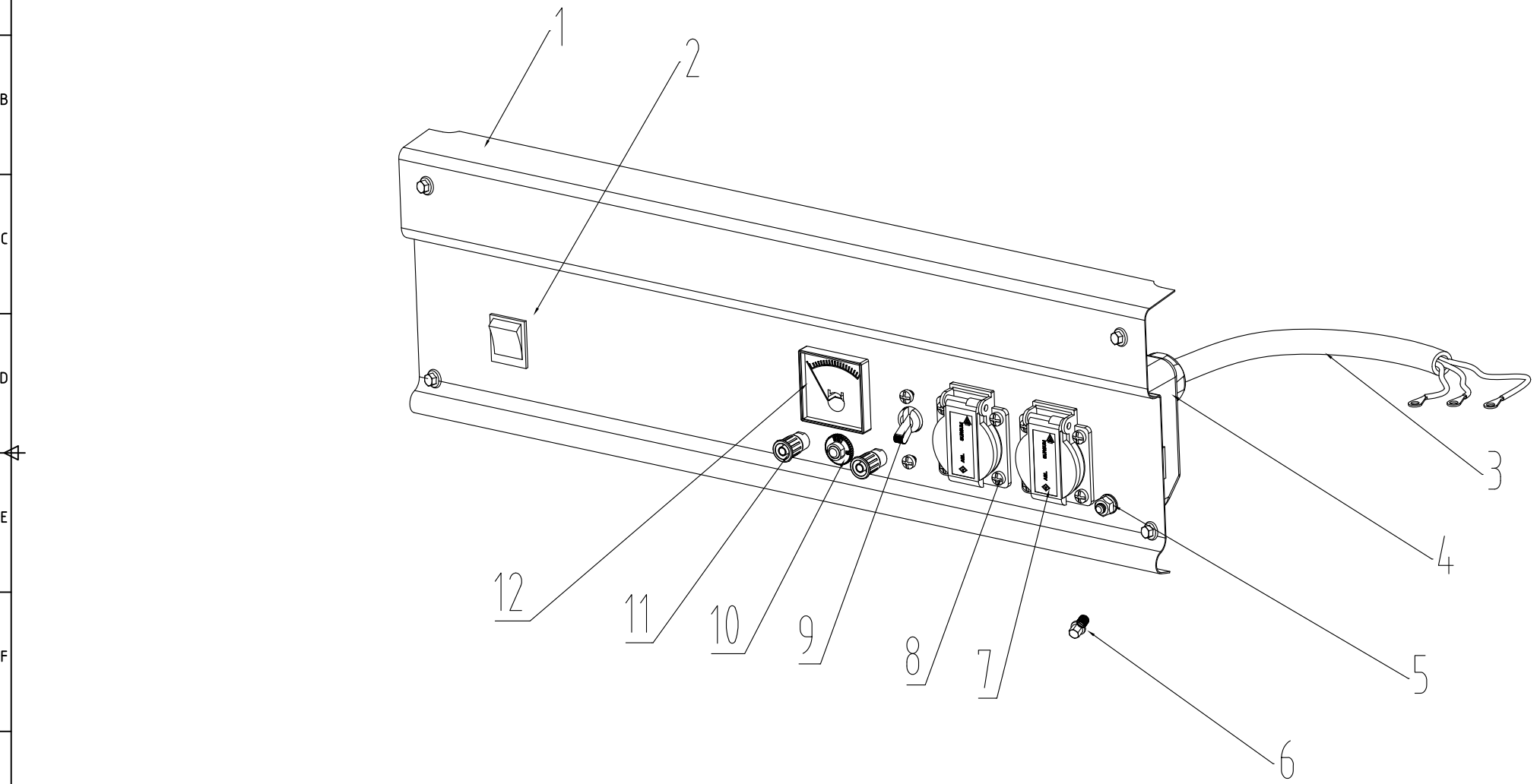
|        |             |        |            |        |             |
|--------|-------------|--------|------------|--------|-------------|
| 2      | Guard plate | 4      | Shake Feet | 6      | Rubber feet |
| 1      | Frame       | 3      | Bolt M6×12 | 5      | Nut M8      |
| Number | English     | Number | English    | Number | English     |

| Itemref              | Quantity          | Title/Name, designation, material, dimension etc |                      | Article No./Reference |              |
|----------------------|-------------------|--|----------------------|-----------------------|--------------|
| Designed by<br>XXX   | Checked by<br>XXX | Approved by - date<br>XXX - 00/00/00             | Filename<br>Exploder | Date                  | Scale<br>1:1 |
| Frame parts Exploder |                   |  |                      | Edition<br>0          | Sheet<br>5/7 |



|    |            |        |    |                            |        |    |                            |        |    |                    |        |
|----|------------|--------|----|----------------------------|--------|----|----------------------------|--------|----|--------------------|--------|
| 4  | Hang feet  | 1      | 8  | Carbon brush<br>Bolt M5×16 | 1      | 12 | Back Cover<br>bolt M5×8    | 2      | 16 | Rotor bolt         | 1      |
| 3  | Bolt M6×12 | 1      | 7  | Carbon brush               | 1      | 11 | Back Cover                 | 1      | 15 | Generator End Bell | 1      |
| 2  | Stator     | 1      | 6  | Stator bolt                | 4      | 10 | Junction Box<br>Bolt M5×12 | 2      | 14 | AVR                | 1      |
| 1  | Rotor      | 1      | 5  | Bolt M8×16                 | 2      | 9  | Junction Box               | 1      | 13 | AVR Bolt M5×12     | 2      |
| No | English    | Number | No | English                    | Number | No | English                    | Number | No | English            | Number |

| Itemref                     | Quantity          | Title/Name, designation, material, dimension etc |                      |              | Article No./Reference |  |
|-----------------------------|-------------------|--|----------------------|--------------|-----------------------|--|
| Designed by<br>XXX          | Checked by<br>XXX | Approved by - date<br>XXX - 00/00/00             | Filename<br>Exploder | Date         | Scale<br>1:1          |  |
| Electrical machine Exploder |                   |  |                      | Edition<br>0 | Sheet<br>6/7          |  |



|        |                  |        |            |        |               |
|--------|------------------|--------|------------|--------|---------------|
| 5      | Earth bolt       | 10     | DC Breaker |        |               |
| 4      | Panel back cover | 9      | AC Breaker |        |               |
| 3      | Inlet wire       | 8      | Bolt M4×12 |        |               |
| 2      | Switch           | 7      | AC Socket  | 12     | Voltage meter |
| 1      | Control panel    | 6      | Bolt M6×12 | 11     | DC Terminal.  |
| Number | English          | Number | English    | Number | English       |

| Itemref                       | Quantity          | Title/Name, designation, material, dimension etc |                      |              | Article No./Reference |  |
|-------------------------------|-------------------|--|----------------------|--------------|-----------------------|--|
| Designed by<br>XXX            | Checked by<br>XXX | Approved by - date<br>XXX - 00/00/00             | Filename<br>Exploder | Date         | Scale<br>1:1          |  |
| <b>Control panel Exploder</b> |                   |  |                      | Edition<br>0 | Sheet<br>7/7          |  |